

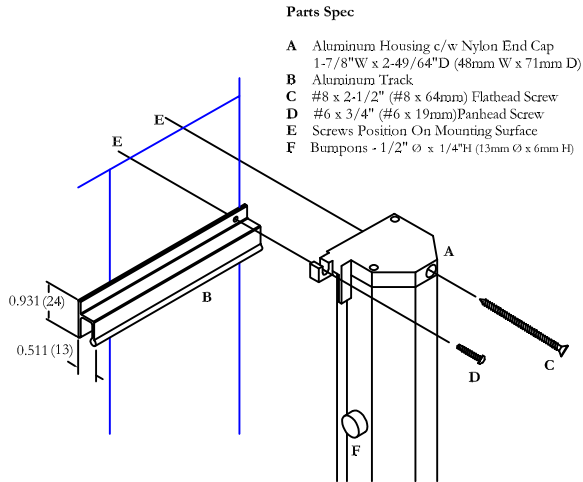
Retractable Door Design Specifications

c/w Magnet Latch System

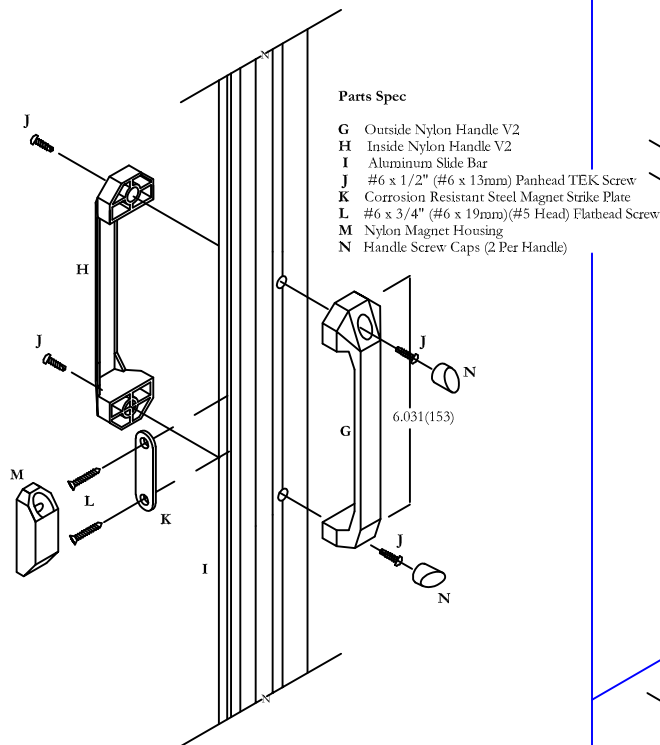
External Assembled View

For Illustration Purposes Only - Not Drawn to Scale

All Dimensions Are Shown In Inches and Millimeters In Brackets



**DETAIL OF TRACK POSITION
IN RELATION
TO THE HOUSING AND HOUSING END CAP
(HEAD VIEW)**



**DETAIL OF HANDLE AND
STRIKE PLATE POSITION
IN RELATION
TO THE SLIDE BAR**

