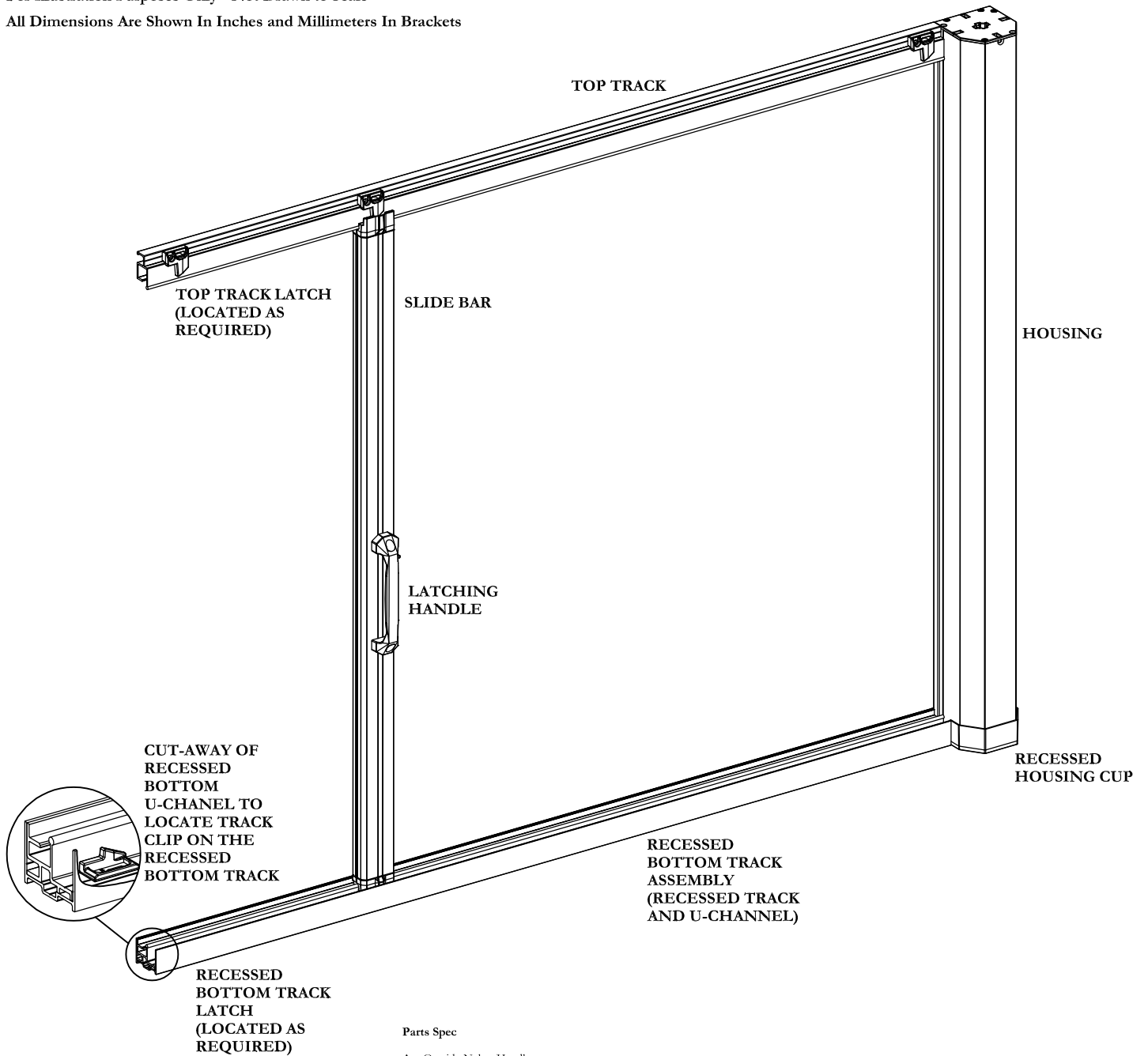


RECESSED MANUAL WALL SCREEN

(External Assembled View)

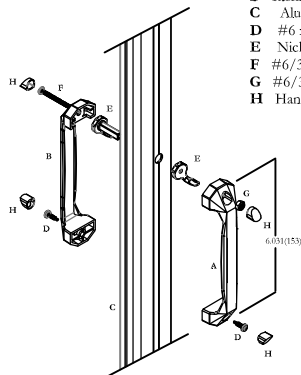
For Illustration Purposes Only - Not Drawn to Scale

All Dimensions Are Shown In Inches and Millimeters In Brackets



Parts Spec

- A Outside Nylon Handle
- B Inside Nylon Handle
- C Aluminum Slide Bar
- D #6 x 1/2" (#6 x 13mm) Panhead TEK Screw
- E Nickel Plated Zinc Lever Components
- F #6/32 x 1-5/8" S.S. Bolt
- G #6/32 Locknut S.S.
- H Handle Screw Caps (2 Per Handle)



DETAIL OF THE LATCH AND RELEASE HANDLE
IN RELATION TO THE SLIDE BAR

NOTE(S);

1. FOR INDIVIDUAL COMPONENT OVERALL SIZE SEE DRAWINGS - PSMANUALWALLSCREEN-02