

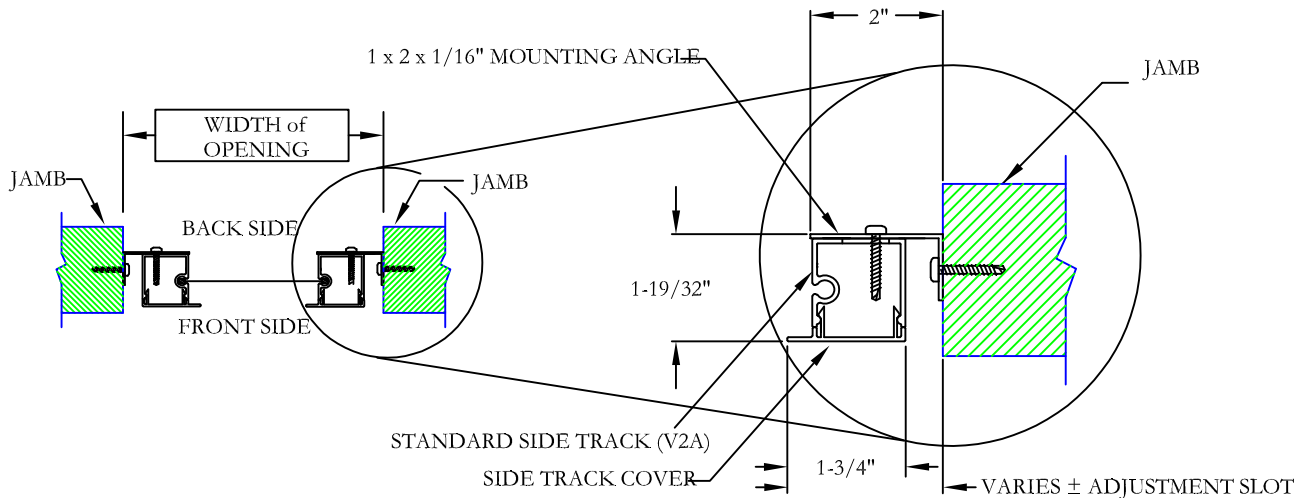
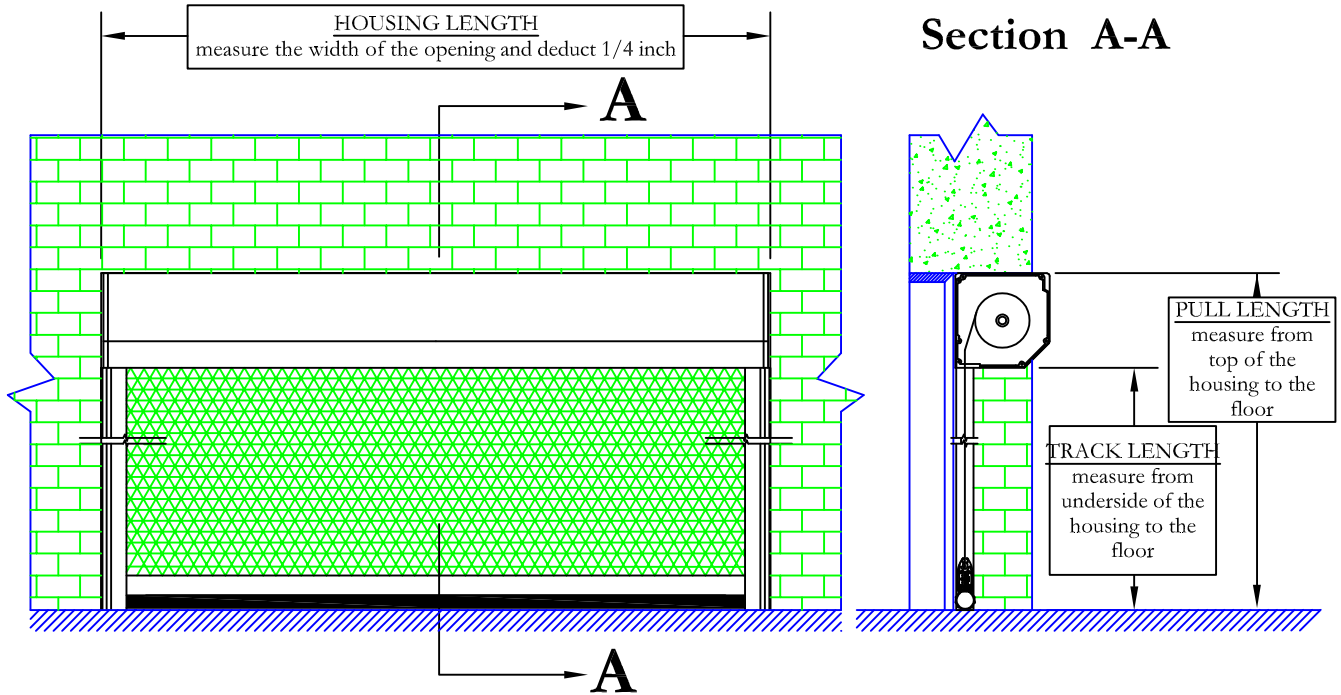
Motorized Retractable Wall Screen

"Inside Jamb" Installation

System With Standard Side Track (V2A)

Inside Jamb Above Header - (IJUH)

FOR ILLUSTRATION PURPOSES ONLY - NOT DRAWN TO SCALE



All dimensions are given in inches.