

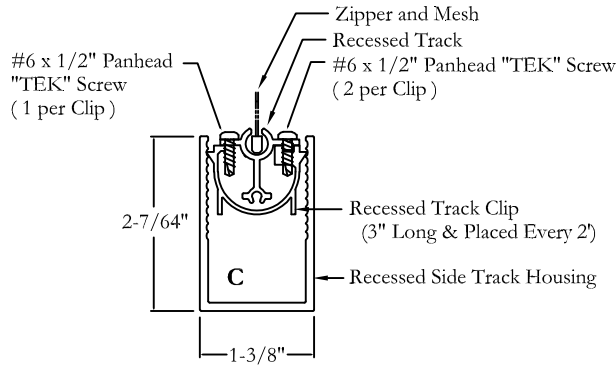
Motorized Retractable Wall Screen

Design Specifications-

System With Recessed Side Track

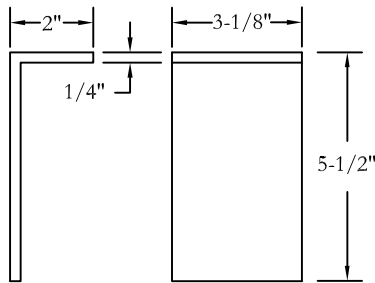
(External Assembled View)

FOR ILLUSTRATION PURPOSES ONLY - ONLY CROSS SECTIONS DRAWN TO SCALE



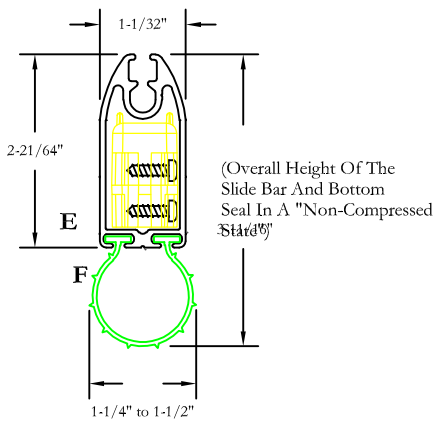
CROSS SECTIONAL VIEW OF THE FULLY ASSEMBLED RECESSED SIDE TRACK (V3)

(Scale: 1 : 1)



ROLLER MOUNTING ANGLE FOR 4" and 5" ROLLERS

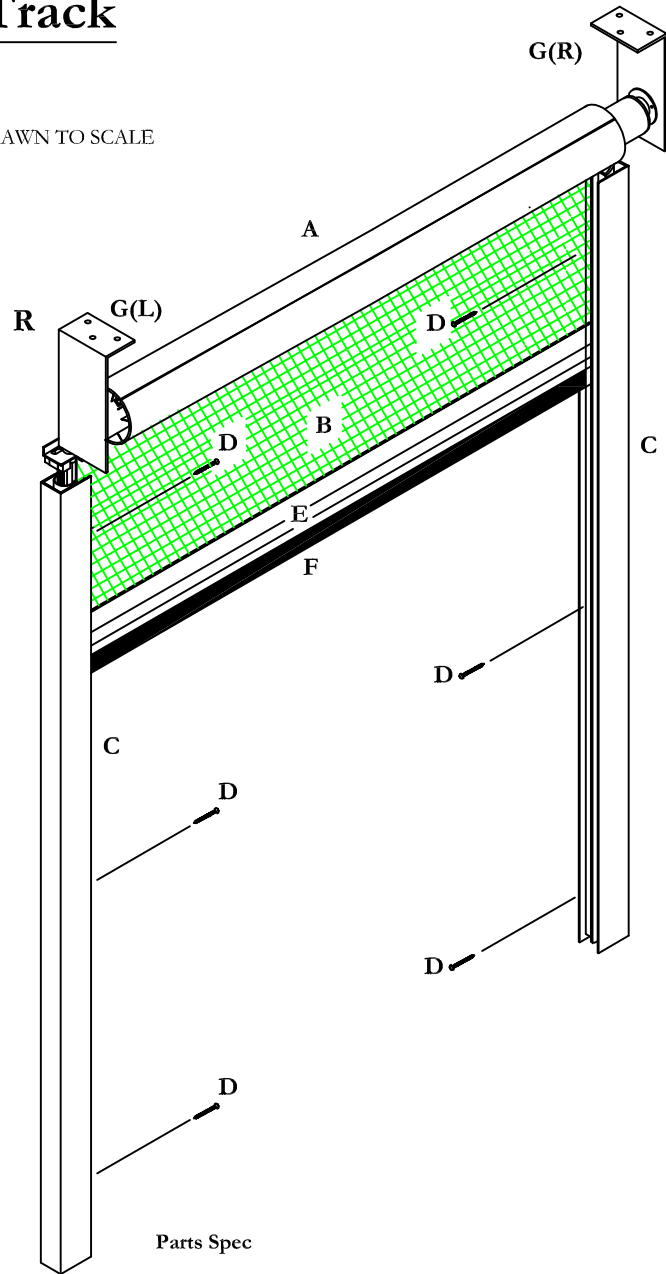
(Not Drawn To Scale)



(Based On Compression)

CROSS SECTIONAL VIEW OF THE SLIDE BAR AND 4" BOTTOM SEAL

Scale: 1 : 1



Parts Spec

- A Roller Assembly (4" or 5") c/w Inserts (L & R)
- B PVC Coated Fiberglass Mesh or other - see Mesh Specifications
- C Recessed Side Track Assembly (1-3/8"W x 2-7/64"D)
- D #8 or #10 Corrosion Resistant Fastener
Type and length of screws may vary depending on type of mounting surface (Minimum of 3 per Side Track and Roller Mounting Angle)
- E Slide Bar c/w Probe Assembly
- F Bottom Seal - 4" Shown (Other options available)
- G Roller Mounting Bracket (2" x 5-1/2" x 1/4" x 3-1/8" W)

All components are color matched except Mesh, Rivets, and Bottom Seal.