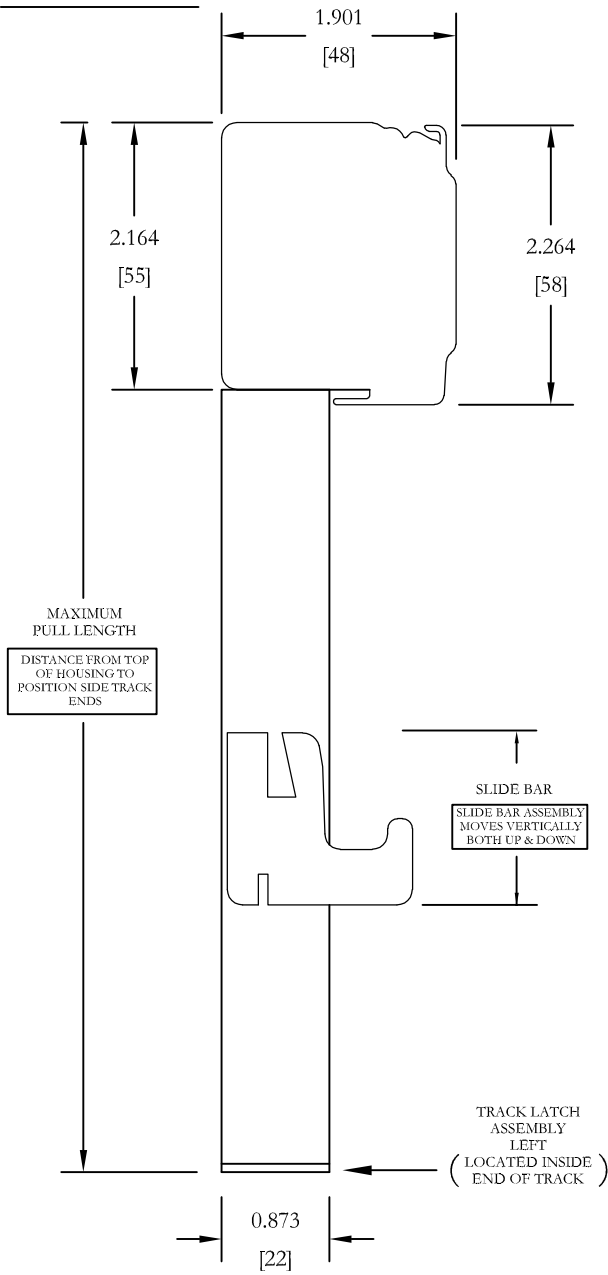


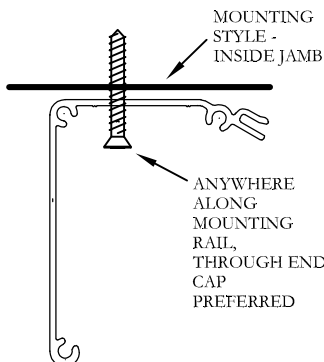
Retactable Window Design Specifications

Wood Veneer Application

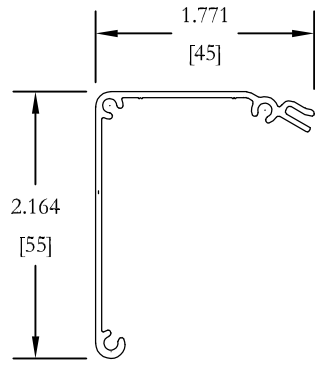
Detail Views



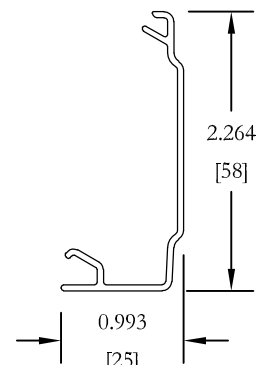
**PRESTIGE WINDOW SCREEN ASSEMBLY
LEFT SIDE VIEW**



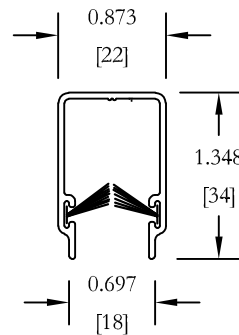
**MOUNTING SCENARIO FOR THE HOUSING
MOUNTING BRACKET (RAIL)**



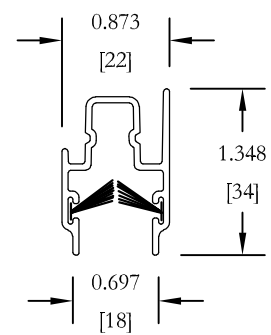
**HOUSING MOUNTING
BRACKET (RAIL)**



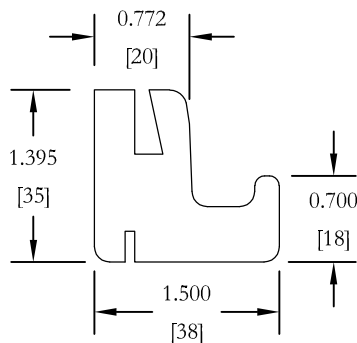
HOUSING COVER



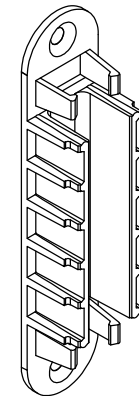
**STANDARD SIDE TRACK
c/w MESH RETENTION**



**REMOVABLE TRACK
c/w MESH RETENTION**



SLIDE BAR

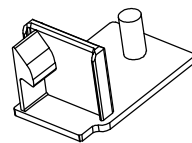


**REMOVABLE TRACK
RETAINER CLIP**

MATERIAL NOTE(S):

1. SLIDE BAR is solid wood construction
2. ALL aluminum components have a WOOD VENEER wrap on the exposed surfaces

VARIOUS PROFILES



TRACK LATCH

All Dimensions Shown: Inches and Millimetres (in brackets)