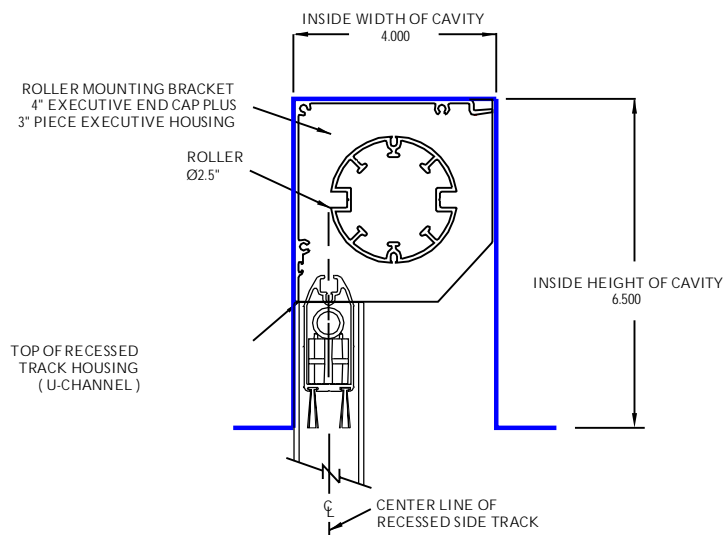


Recessed Roller Placement Details - Minimum Cavity Size for 2-1/2" Roller

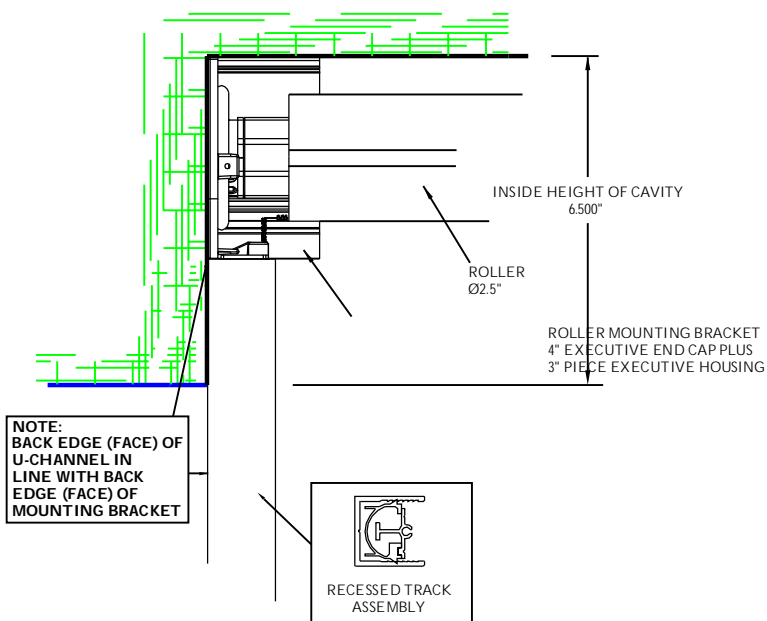


**PLACEMENT OF 2-1/2" ROLLER,
4" ROLLER MOUNTING BRACKET
AND RECESSED SIDE TRACK**

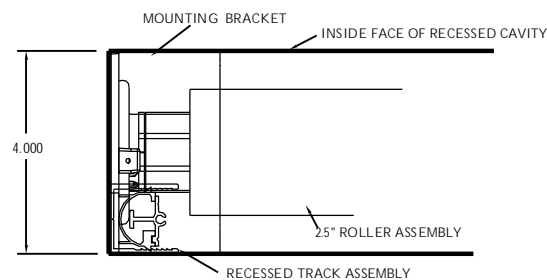
**PRODUCT LIMITATION
SIZE LIMITATION FOR THE 2-1/2 INCH ROLLER IS:
10 FEET (Wide) x 8 FEET (High/Pull Length)**

IMPORTANT NOTE(S):

1. THE DIMENSIONS GIVEN FOR THE CAVITY ARE THE MINIMUM THAT CAN BE ALLOWED.
2. UNDER "NO" CIRCUMSTANCES ARE THE INTERIOR DIMENSIONS OF THE CAVITY TO BE MADE SMALLER.
3. THE CAVITY DIMENSIONS SHOWN ARE FOR USE WITH A 0.75" SLIDE BAR BRUSH PILE. ONLY AVAILABLE COLOR IS BLACK.



**RELATIONSHIP OF THE
SIDE TRACK U-CHANNEL
TO THE 4" MOTOR MOUNTING BRACKET**



**RELATIONSHIP OF U-CHANNEL
TO MOTOR BRACKET IN A MINIMUM
RECESSED CAVITY C/W 2.5" ROLLER**

All dimensions are given in inches.